



HPI-55-3

Hendrix Tie Top Insulators are molded from a proprietary blend of gray, track and UV resistant, high density polyethylene. They are more durable and reliable than traditional wet-process porcelain insulators. They are also lighter, safer and easier to handle.

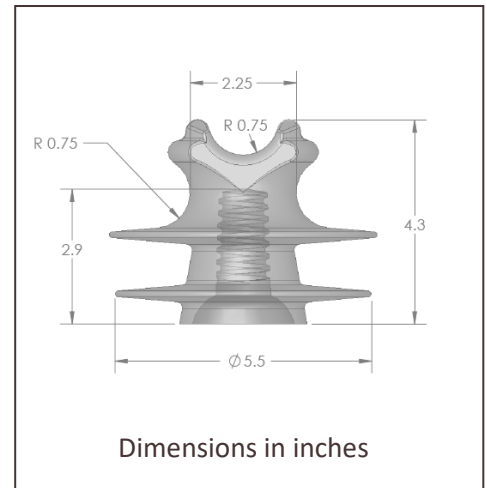
The HPI-55-3 is designed with standard ANSI neck and thread size. It is a direct replacement for medium-voltage porcelain C-neck insulators and recommended for all conductor types, bare or covered.



- Exceeds ANSI electrical and mechanical requirements
- Resistant to impact damage, breakage and vandalism
- Designed for use with all Tie Products
- RUS Accepted
- Made in USA

PRODUCT DATA

Characteristic	ANSI C29.5 Class 55-3	HPI-55-3
DIMENSIONS		
Neck designation	C	C
Leakage distance (in)	7	10.3
Dry-arc distance (in)	4.5	6.1
^[1] Pin-hole diameter (in)	1	1
MECHANICAL VALUES		
Cantilever strength (lbs)	2500	>3000
ELECTRICAL VALUES		
Typical application (kV)		15
Flashover voltage, 60 Hz Dry (kV)	55	69
Flashover voltage, 60 Hz Wet (kV)	30	45
Impulse Flashover – Positive (kV)	90	108
Impulse Flashover – Negative (kV)	110	148
Low frequency Puncture (kV)	90	210
OTHER		
Min.-Max. Conductor Diameter (in)		.187 - 1.375
Part Weight (lbs)		0.9
^[2] Max Continuous Conductor Temp (°C)		120



Notes:

[1] Other pin-hole diameters and thread configurations are available

[2] High temperature (200°C) model is available